

Solar Street Monitoring Power Back Up System with Lithium Ferrite Phosphate (LFP) Battery

Application Areas:

- On grid / Off grid 24h monitoring back-up system for streets, parks and parking areas

Advantages of The System:

- Off-Grid App. Energy Supply directly from the Solar Panel (300W MPPT capable)
- On-Grid App. Energy Supply partially from Electricity and partially from the Sun Light
- Low and high temperature operability (-20°C ... +55°C)
- Autonomous operation being independent from power grid (Off-Grid App. no need for power cabling)
- Long service life more than 5 years with the use of LFP Batteries
- Lamp post positioning of the battery pack due the high gravimetric energy density of LFP technology
- More environmental friendly technology usage in the system for energy storage, compared to conventional the Lead Acid Battery (VRLA) technology

Critical Features of the LFP Back-up System:

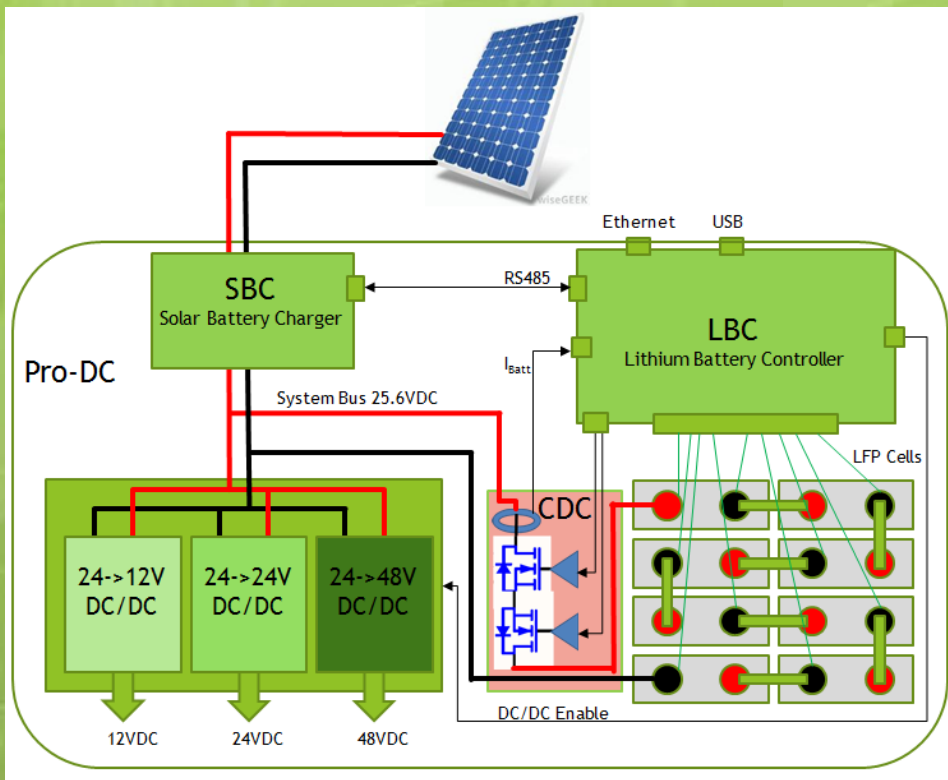
- * LFP Battery Back-up System has got over charge and discharge protection
- * LFP Battery Back-up System has got RJ45/Ethernet, USB-A or RS485 communication interfaces
- * Std. DC Max output 100W / 24V and 50W / 48V.
- * Input for On-Grid Applications; 90-305 VAC, 3.3A, 47-63 Hz, PF >0.95

Pro-DC 150W/2500Wh Data Sheet:

| | |
|------------------------|--|
| Output Power: | 150 W (24-48VDC) |
| Solar Panel Power: | 200 - 300 Wp |
| Battery Capacity: | 25,6 V / 100 Ah |
| Autonomy Time: | 16h |
| Charge Current Max: | 0.2C (20A) |
| Discharge Current Max: | 6A or max 20A (30sn) |
| Operation Temperature: | -20°C ... +55°C |
| Max Charge Voltage | 29.2V |
| Battery Box: | Polyester Cabinets / Painted Metal Box |
| Battery Weight: | 35kg |



Pro-DC



BATKON Battery Control Technologies Inc.

Adr: ITU Ayazaga Kampusu Ari-6 Enerji Teknokent No:2/49/209 Sariyer / Istanbul / Turkey
Tel: +90212-286-33-35 Fax: +90212-286-44-35 Web: www.batkon.com